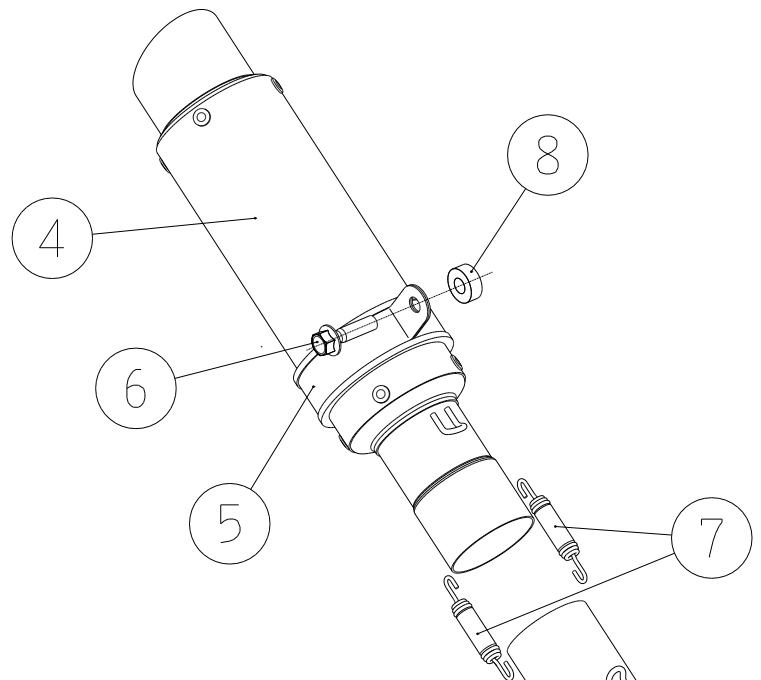


AR02



No	Part Name	Qty
①	GASKET (STANDARD)	1
②	EXH. ASSY	1
③	NUT. FLG	2
④	SILINER ASSY	1
⑤	BAND SILINER ASSY	1
⑥	BOLT. (M8X45)	1
⑦	SPRG	2
⑧	COLLAR	1
⑨	BRKT	1
⑩	BOLT. (M8X15)	2
⑪	U-NUT M8	2
⑫	DUMPER STOPPER	2

SETTING BRKT ON MAIN STAND

