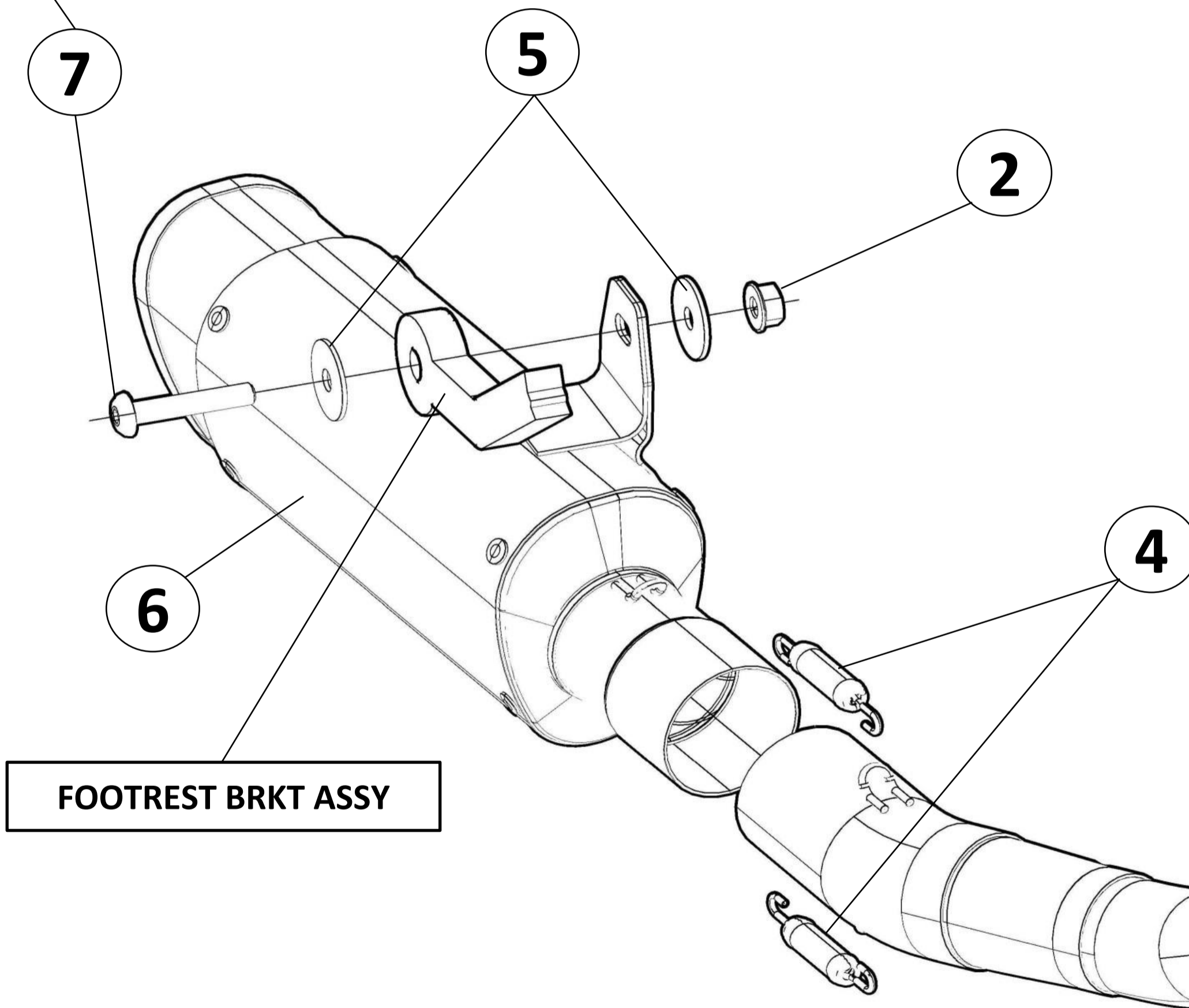
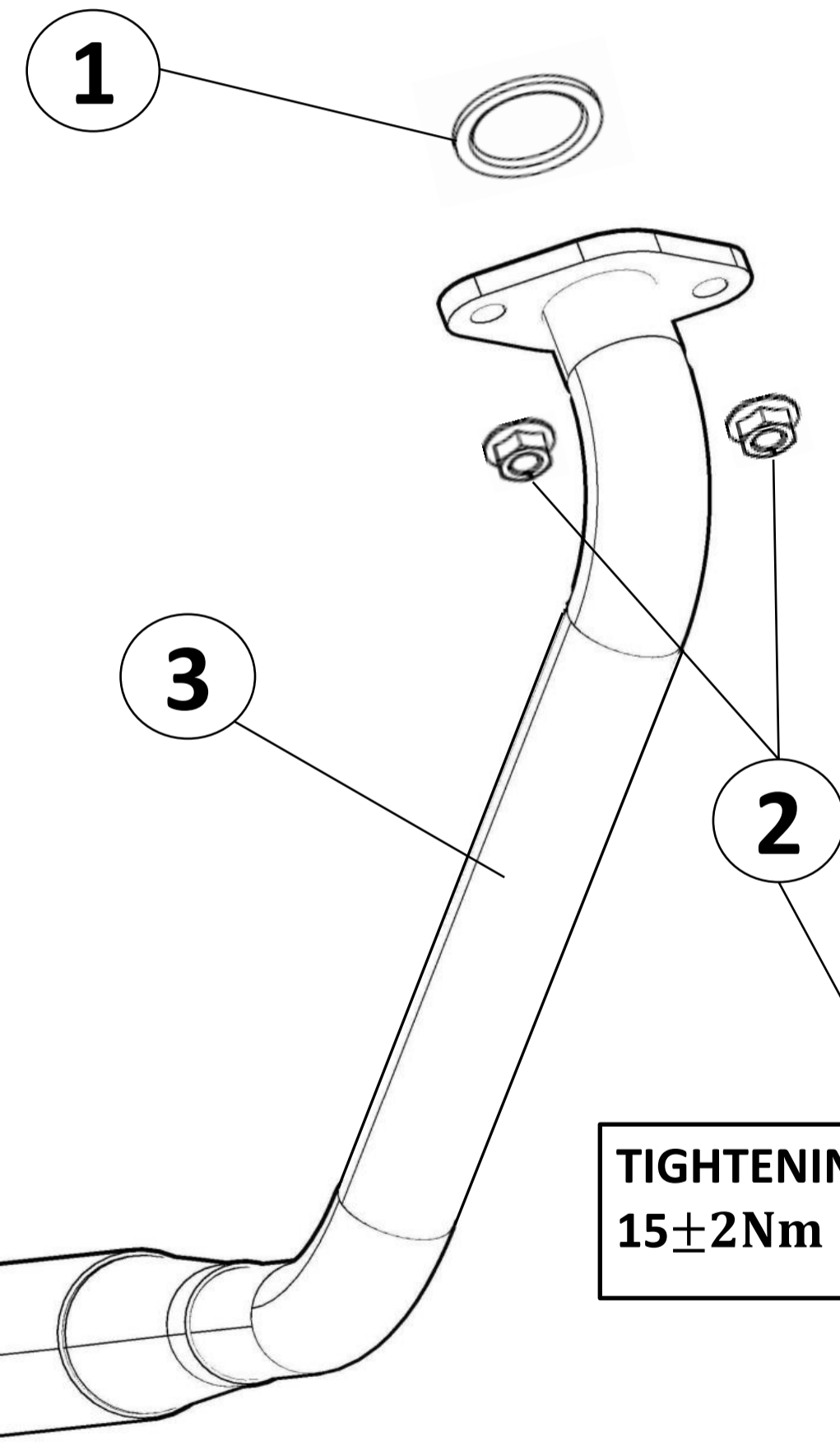


No	Parts Number	Parts Name	Qty
①	BK7-E4613-00	GSKT.,EXT.1	1
②	95702-08500	NUT.FLG.	3
③	AR12-14610-00	EXT.PIPE ASSY.	1
④	AM01-14774-B1	SPRG	2
⑤	90201-08612	WASHER PLAIN	2
⑥	AR12-14753-00	SILENCER.1	1
⑦	95817-08045	BOLT.FLG.	1

**TIGHTENING TORQUE**  
**20±2Nm**



**FOOTREST BRKT ASSY**



**TIGHTENING TORQUE**  
**15±2Nm**